

# 78978 Kingsley

## FEATURES

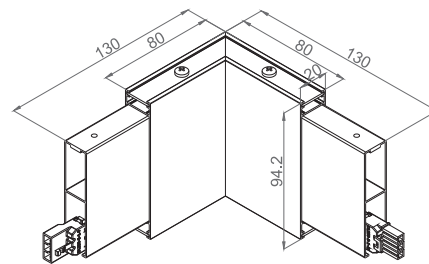
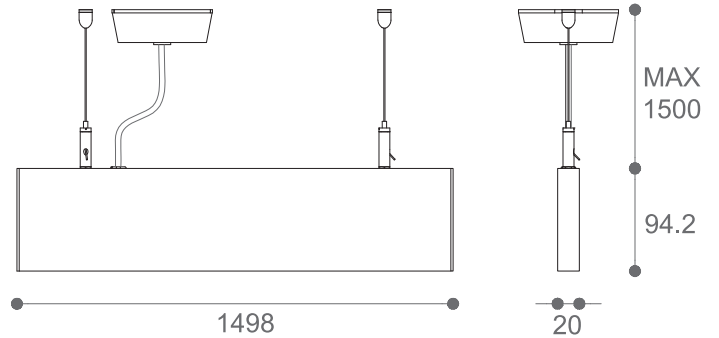
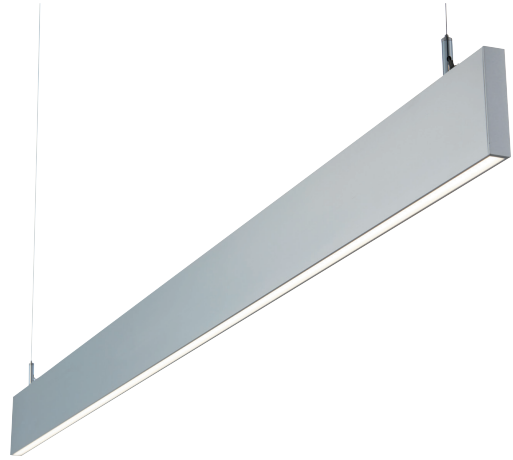
- 5 years (2 years + 3 years) extended warranty
- Constructed from aluminium alloy & polycarbonate
- Silver anodised & frosted pc finish
- Max. connect quantity 10 fittings
- IP40
- Flicker free
- Features up and down lighting, up 2151 lumen and down 1078 lumen

## SPEC DATA

Product Wattage:	40W
LED Module Lumen:	3600
Product Lumen:	3229
Kelvin:	4000K
Energy Rating:	A++
Dimmable:	No
Beam Angle:	220°
Power Factor:	0.9
UGR:	20
CRI:	80
Lifetime (Hours):	50000
SDCM:	6
Driver Type:	Constant Current 1000mA
Product Voltage:	220-240V
Hertz:	50/60
Surge Protection (KV):	1.5
Operating Temp.:	-20 to 40 Degree
Diffuser Material:	PC
Product Weight (KG):	1.7
Cable Length (m):	1.5
Cable Spec.:	White 3 CORE 0.75 pvc
Terminal Block:	3-Way
Class:	1
Suspension Cable Length (m):	Adjustable drop to max.1.5

## ACCESSORIES

79191, Kingsley corner connect accessory



Accessory 79191